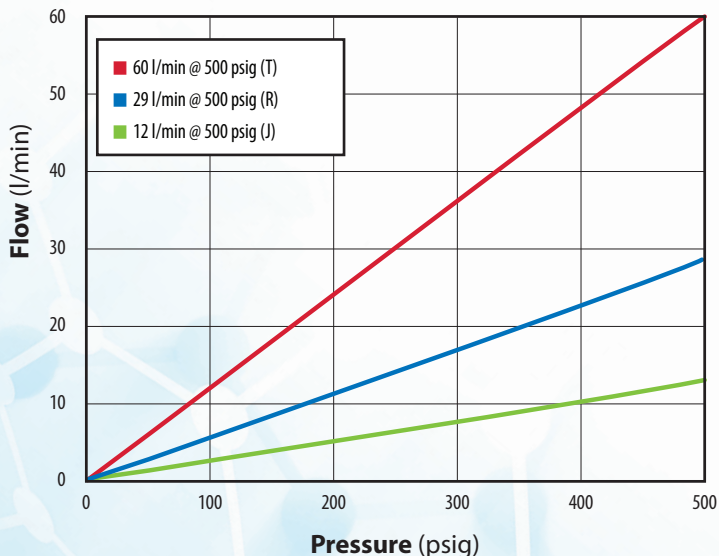


## HIGH PRESSURE EV SERIES



Clippard's EHV series are a high pressure version of the renowned EV series. They are precision-built 2-way control valves that accept low voltage, low current signals and convert them to high pressure (500 psig, 34.5 bar) pneumatic outputs. Like the original EV series, EHV series valves consume very little power and provide exceptionally long life. In addition, they are small in size, quiet, and produce very little heat. These features make them well-suited for a wide range of applications across a broad spectrum of industries.

**TYPICAL FLOW**



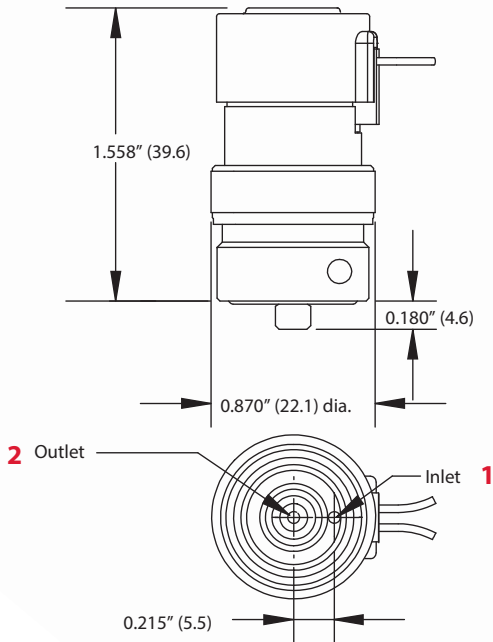
<b>Coil Resistance</b>	218 (12V), 864 (24V)
<b>Connection</b>	Pin connector, spade terminals, or radial wire leads
<b>Current</b>	0.055A (12V), 0.028A (24V)
<b>Filtration</b>	40 micron filter ( <i>recommended</i> )
<b>Function</b>	2-way normally-closed ( <i>monodirectional</i> )
<b>Material, Body</b>	Nickel alloy, stainless steel, ENP steel
<b>Material, Seals</b>	Nitrile standard; FKM and EPDM <sup>1</sup> available
<b>Material, Spring</b>	Nickel alloy
<b>Material, Wetted</b>	Nickel alloy, stainless steel, ENP steel
<b>Max. Flow</b>	12, 29, or 60 l/min @ 500 psig (34.5 bar)
<b>Max. psig</b>	500 (34.5 bar)
<b>Medium</b>	Clean, dry air and compatible gases
<b>Mount</b>	Manifold
<b>Number of Ports</b>	2
<b>Operating Pressure</b>	Vac. to 500 psig (34.5 bar)
<b>Operating Range</b>	90 to 150% of rated voltage
<b>Operating Temp. Range</b>	32 to 180°F (0 to 82°C)
<b>Orifice</b>	0.009", 0.013", or 0.020" (0.23, 0.33, or 0.51 mm)
<b>Port, Inlet</b>	#10-32 male or M5
<b>Port, Outlet</b>	#10-32 or M5 (in-line)
<b>Response Time</b>	5 to 10 ms (nominal)
<b>Voltage</b>	12 or 24 VDC
<b>Voltage Operating Range</b>	90 to 150%
<b>Wattage</b>	0.67 watts (nominal)
<b>More Details</b>	<a href="http://clippard.com/link/ehv-series">clippard.com/link/ehv-series</a>

<sup>1</sup>Minimum order quantity required

*Does your application have requirements beyond what is listed? Contact Clippard to discuss how this valve can be modified to meet your specific needs.*

## Manifold Mount

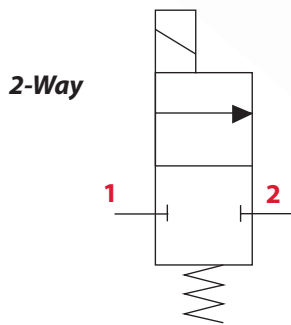
2-Way



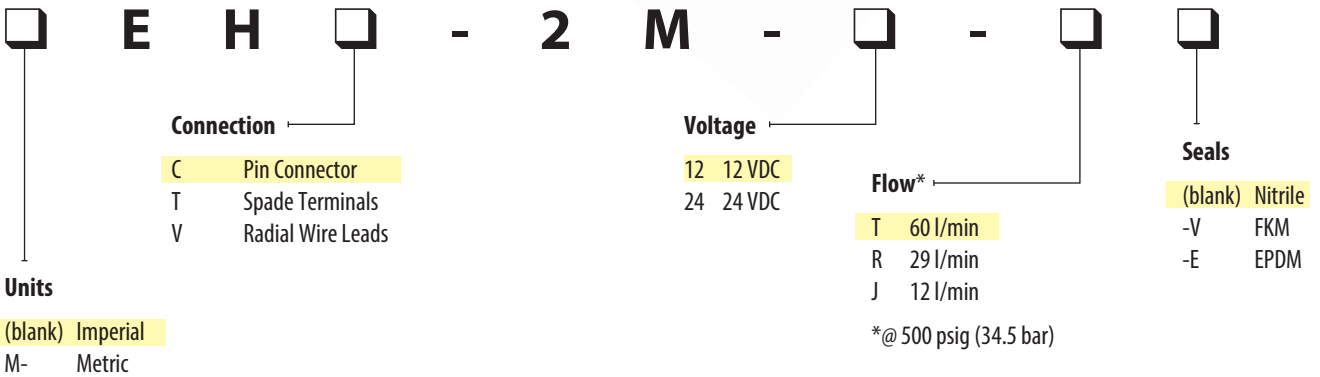
*EHV series valves are the "heart" of Clippard's CHP series high pressure electronic regulator.*

- Extremely small dead volume
- Low vibration and noise
- Fast response time
- Low energy consumption
- Exceptional repeatability and reliability
- Compact and ideal for sub-assemblies
- 100% tested

*Dimensions shown are in inches (millimeters listed in parentheses). Visit [clippard.com](http://clippard.com) for more detailed 2D and 3D drawings.*



## ORDERING INFORMATION



**Example Part Number:**

**EHC-2M-12-T**

For more info, scan the QR code or visit [clippard.com/link/ehv-series](http://clippard.com/link/ehv-series)

